

Circuits Puzzle

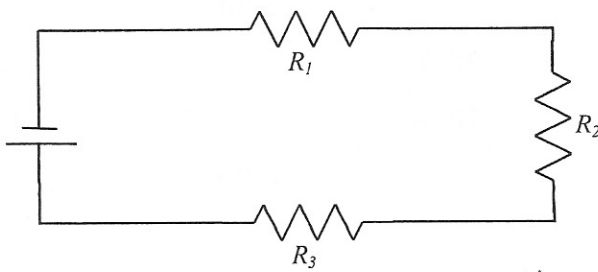
Resistors & Capacitors WS 6

Names: _____

Names: _____

Date _____ Per _____ total

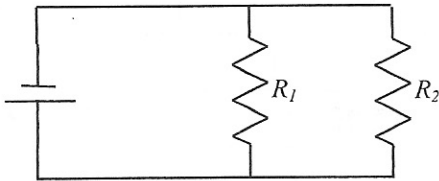
1.



	V	I	R
Battery	V	A	Ω
R ₁	V	2.00 A	4.00 Ω
R ₂	V	A	6.00 Ω
R ₃	V	A	8.00 Ω

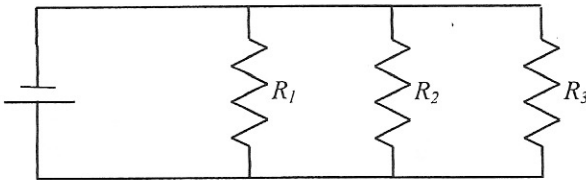
voltage drop across R₃

2.



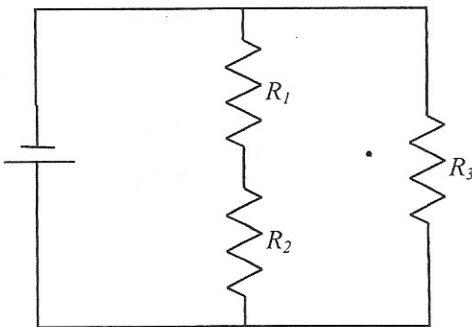
	V	I	R
Battery	12.00 V	A	Ω
R ₁	V	A	2.00 Ω
R ₂	V	A	4.00 Ω

3.



	V	I	R
Battery	V	A	Ω
R ₁	V	2.00 A	Ω
R ₂	V	3.00 A	12.00 Ω
R ₃	V	1.00 A	Ω

4.

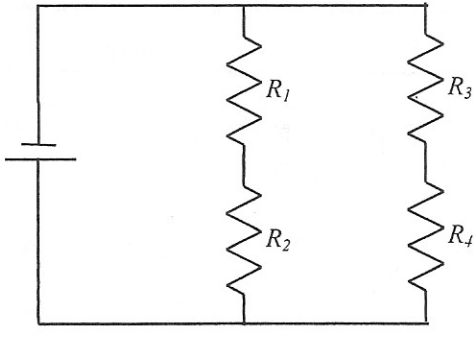


	V	I	R
Battery	12.00 V	2.00 A	Ω
R ₁	V	A	6.00 Ω
R ₂	V	A	4.00 Ω
R ₃	V	A	15.00 Ω

5. Draw picture.

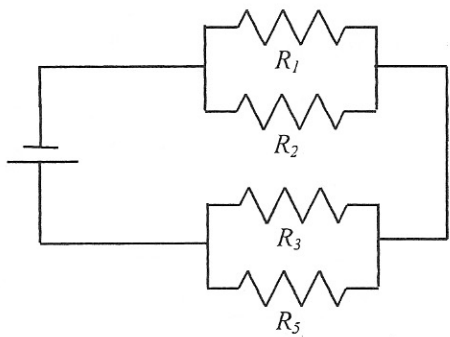
	V	I	R
Battery	24.00 V	A	Ω
R ₁	8.00 V	A	Ω
R ₂	V	4.00 A	Ω
R ₃	V	2.00 A	Ω

6.



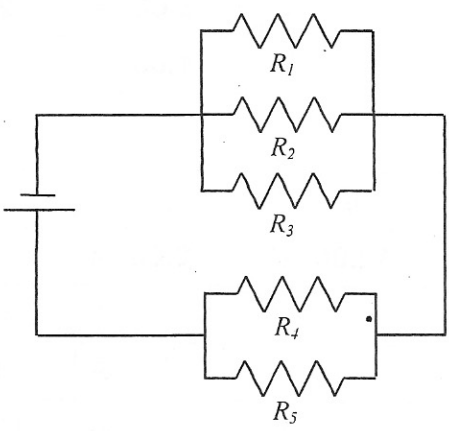
	V	I	R
Battery	50.00 V	5.00 A	Ω
R ₁	V	2.00 A	Ω
R ₂	25.00 V	A	Ω
R ₃	10.00 V	A	Ω
R ₄	V	3.00 A	Ω

7.



	V	I	R
Battery	V	A	Ω
R ₁	12.00 V	A	2.00 Ω
R ₂	V	A	4.00 Ω
R ₃	24.00 V	A	4.00 Ω
R ₄	V	A	8.00 Ω

8.



	V	I	R
Battery	46.00 V	A	Ω
R ₁	V	3.00 A	Ω
R ₂	V	4.00 A	Ω
R ₃	V	A	6.00 Ω
R ₄	V	3.00 A	Ω
R ₅	V	7.00 A	Ω